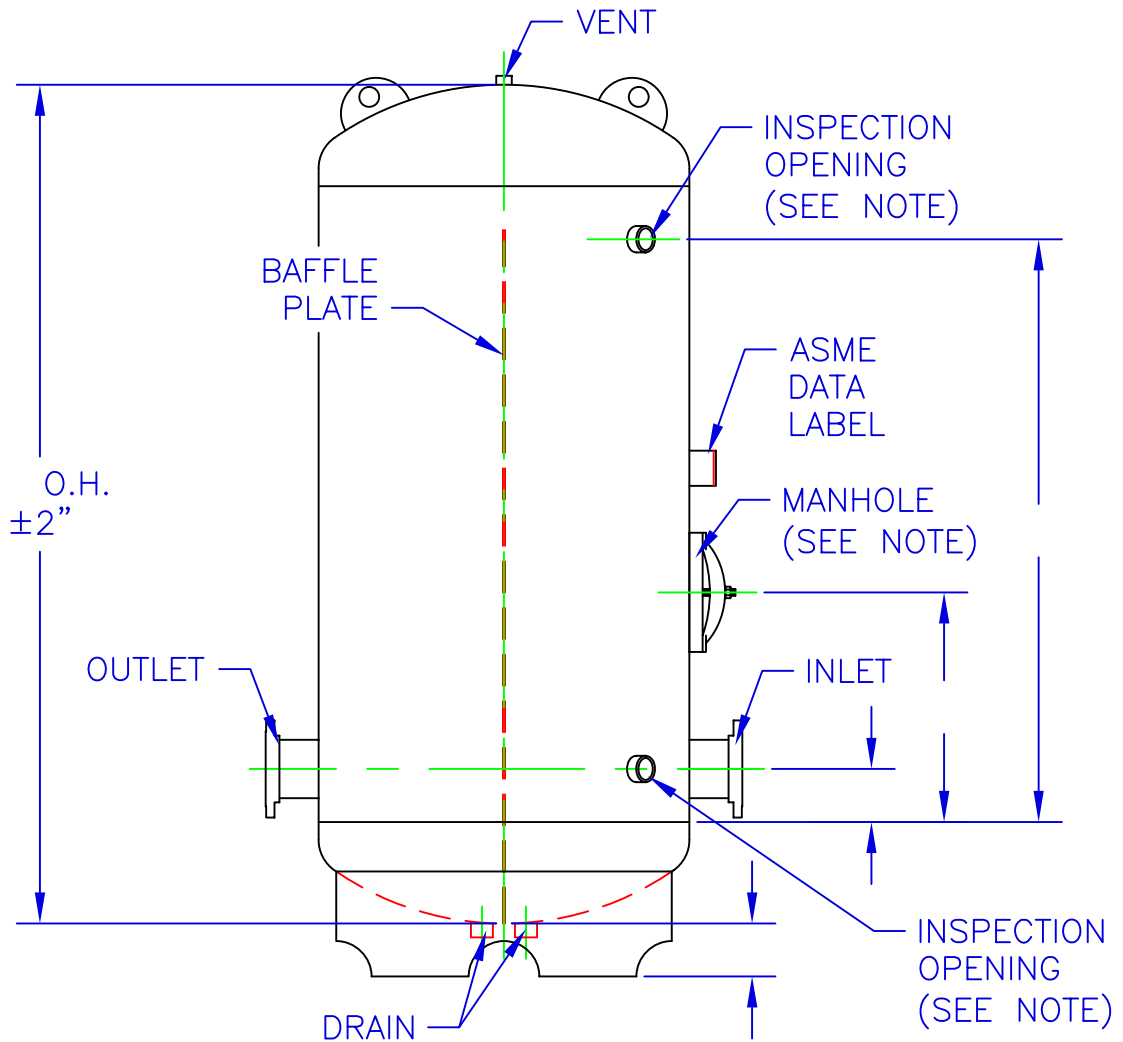
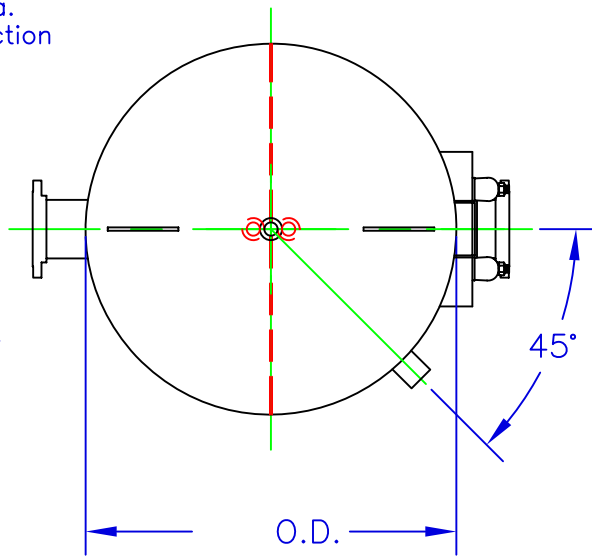


# CHILLED WATER STORAGE TANK

**Note:**

ASME stamped vessels 36" Dia. and smaller require (2) Inspection Openings. 42" Dia. and larger require a 12"x16" Manhole. Vessels with an internal lining also require a manhole.

\*DRAWING SHOWS GENERAL ARRANGEMENT ONLY. ALL FITTING SIZES AND LOCATIONS ARE SUBJECT TO CHANGE TO MEET CUSTOMER SPECIFICATIONS.



## Wheeler Tank Manufacturing, Inc.

4001 N. 4th Avenue - Sioux Falls, SD 57104  
 Phone: 605-332-2012 - Fax: 605-332-3222 - 1-800-888-9526  
[www.wheelertank.com](http://www.wheelertank.com)